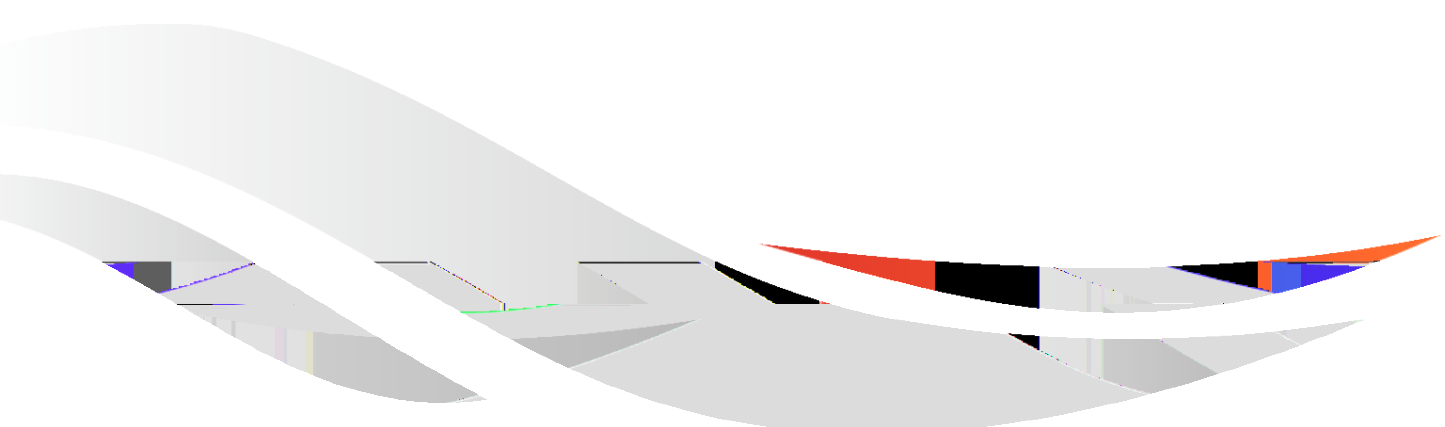


# Quectel\_EVB\_EC600X、EC800X

\_EVB\_ 0X、E800X

3.2

11 07



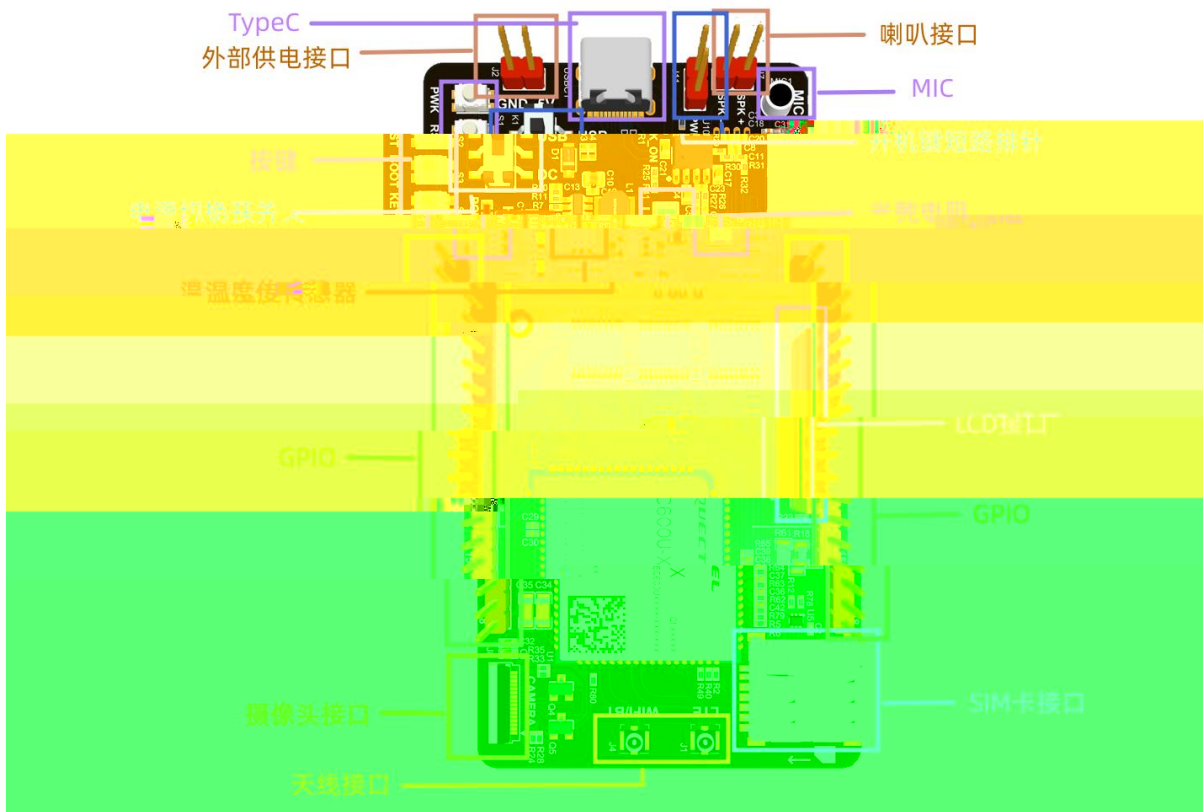
\_\_\_\_\_

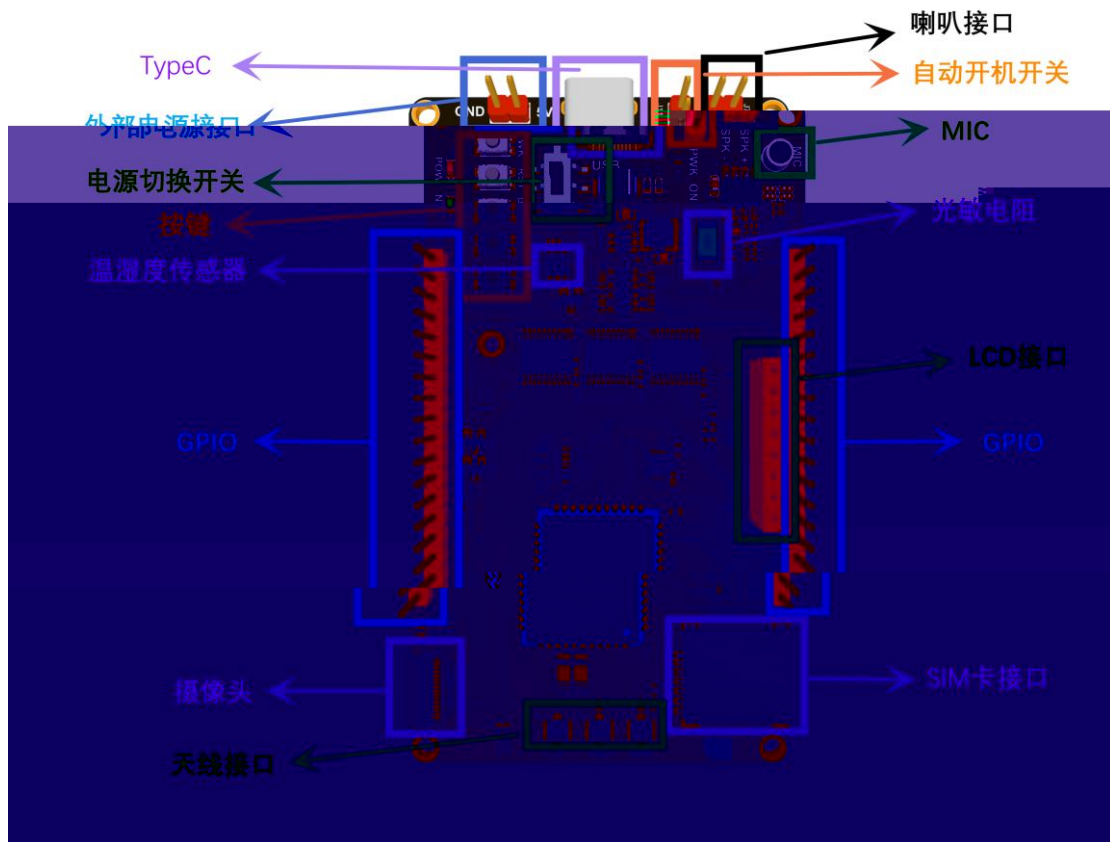
\_\_\_\_\_

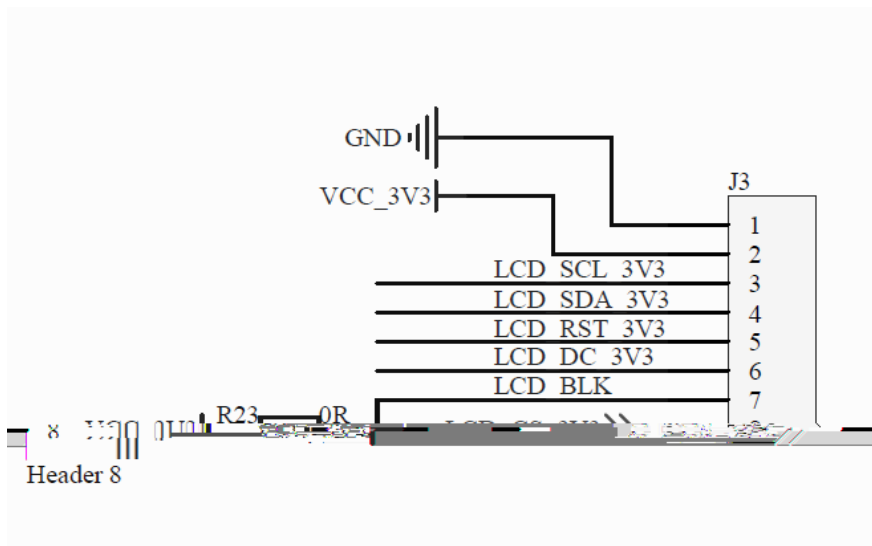
\_\_\_\_\_

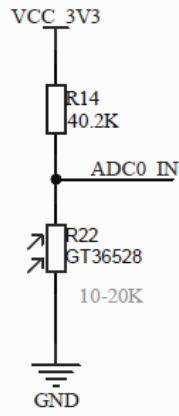
EC600X— EC600 EC600N EC600U EC600M  
EC800X— EC800 EC800M EC800E  
EVB—  
V3.X--



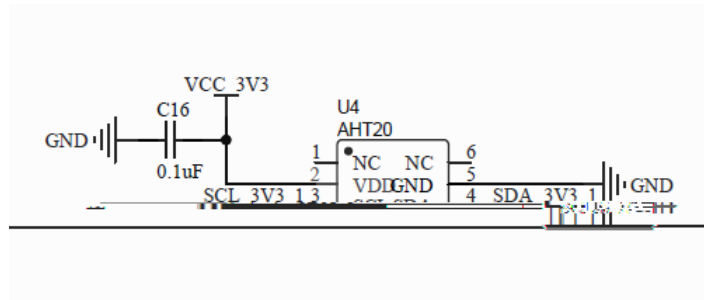
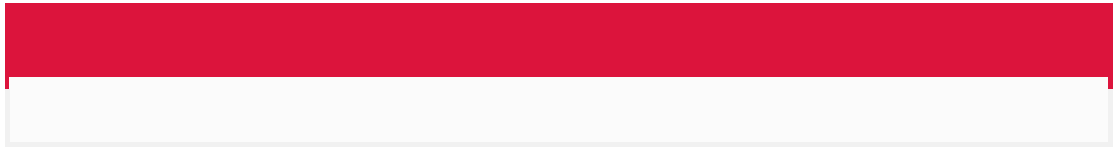


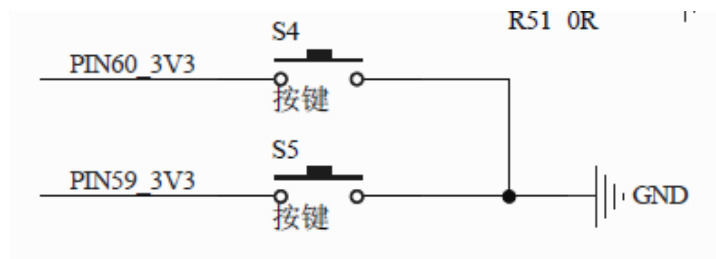
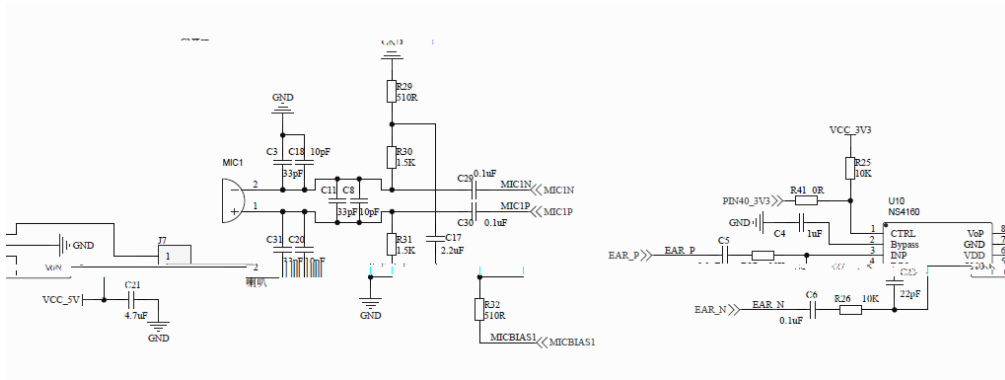




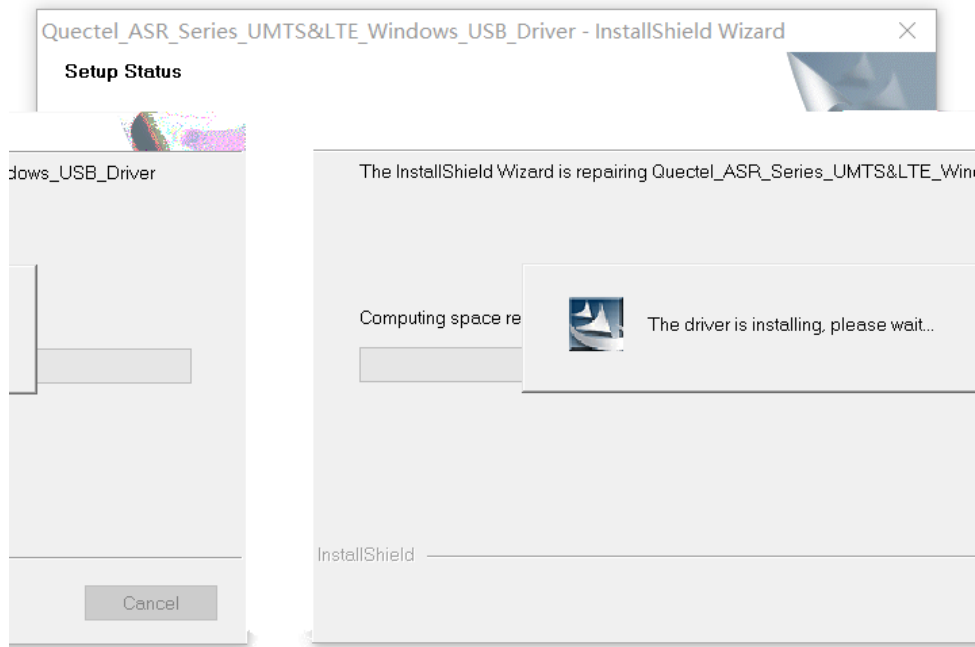


光敏电阻



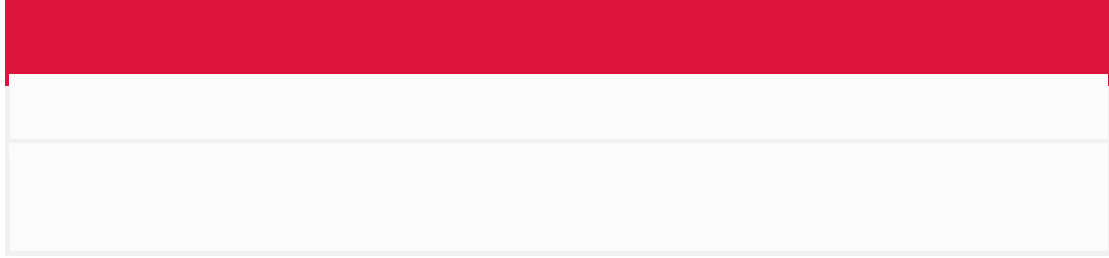


setup.exe

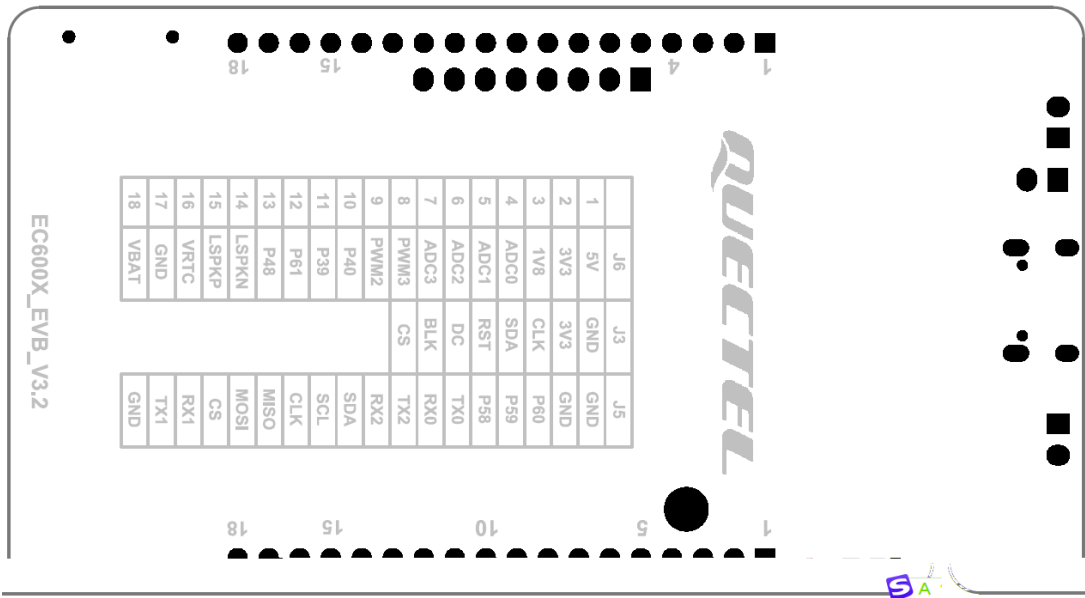
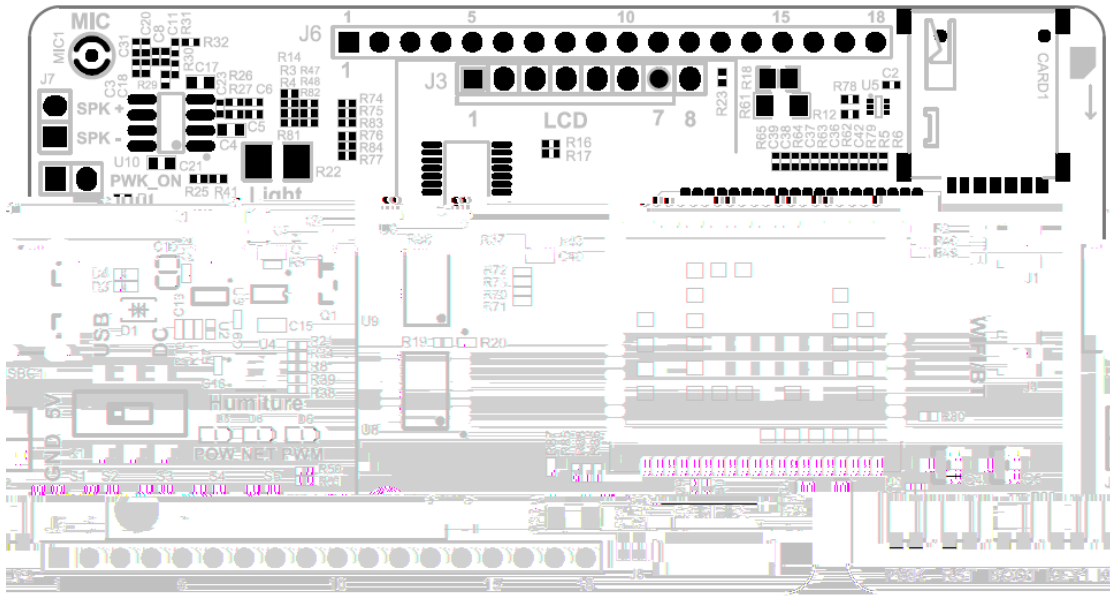


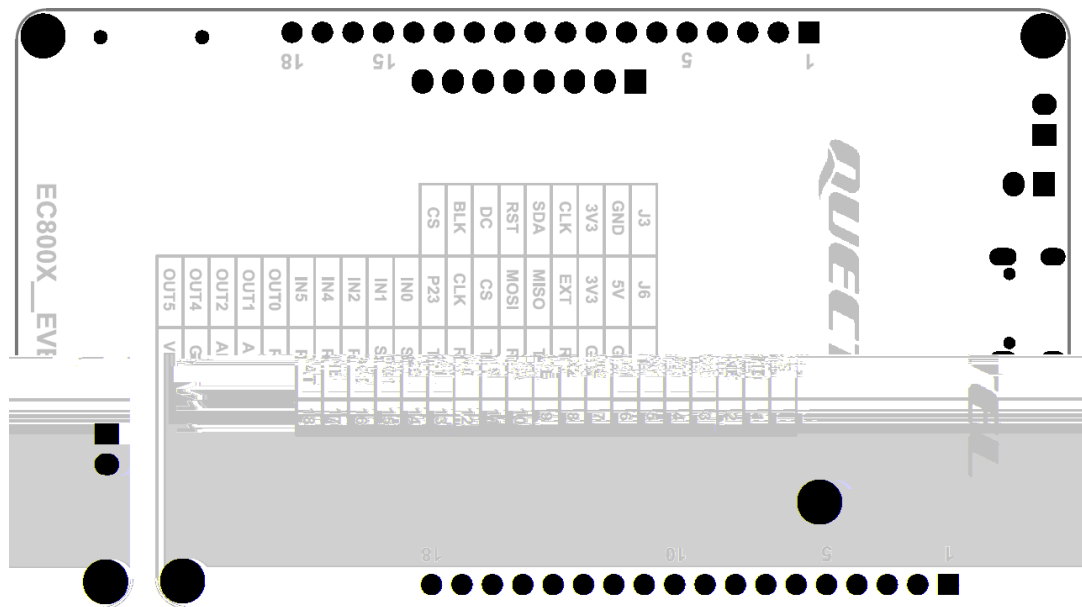
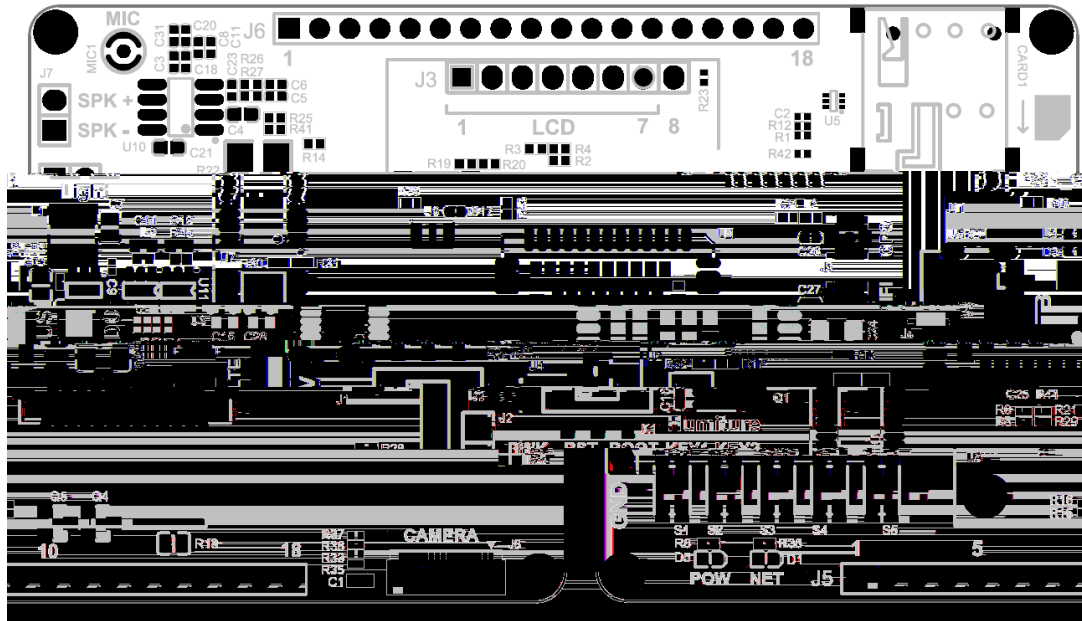


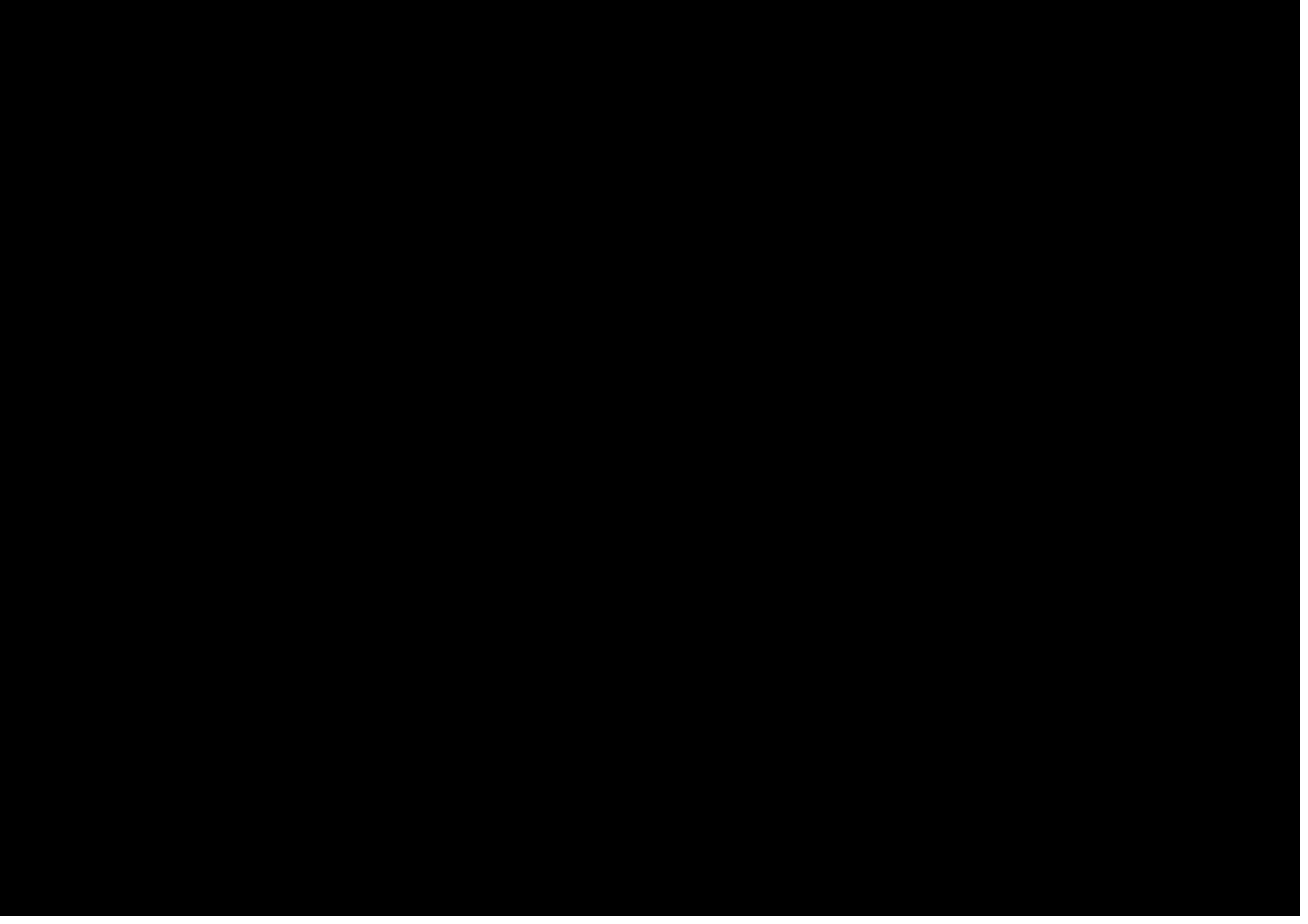
- Quectel USB AT Port (COMx)
- Quectel USB AP Log Port (COMx)
- Quectel USB CP Log Port (COMx)
- Quectel USB Diag Port (COMx)
- Quectel USB MOS Port (COMx)
- Quectel Modem (COMx)
- Quectel USB Serial-1 Port (COMx)
- Quectel USB Serial-2 Port (COMx)

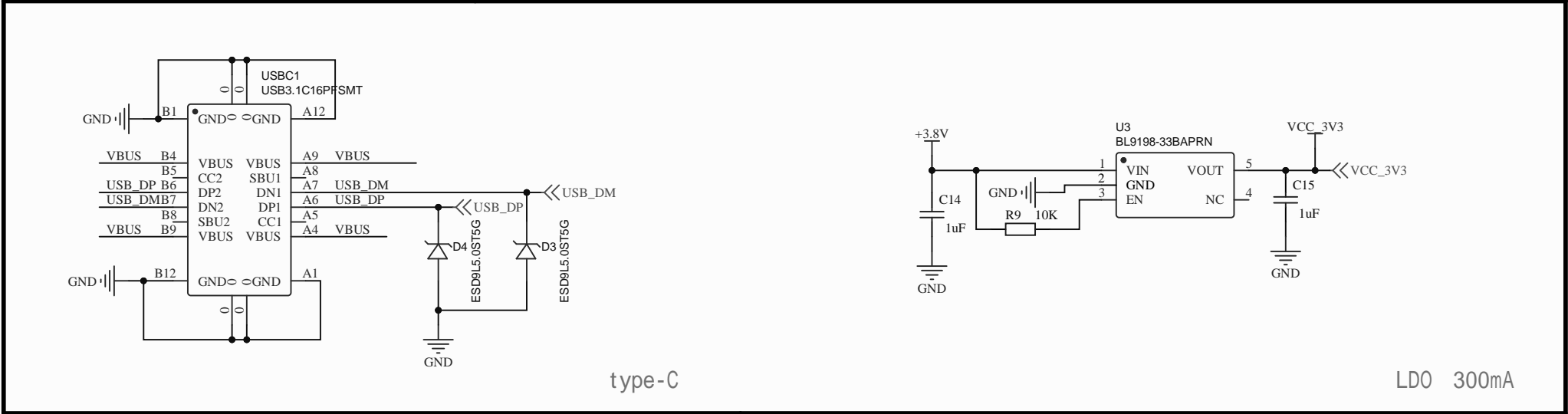
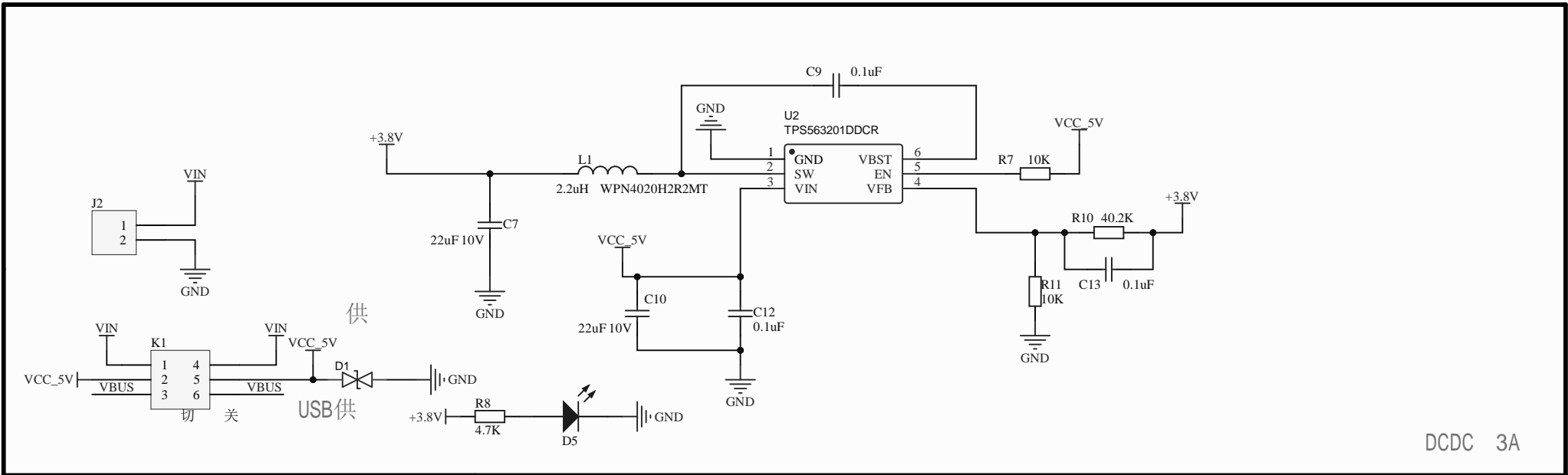






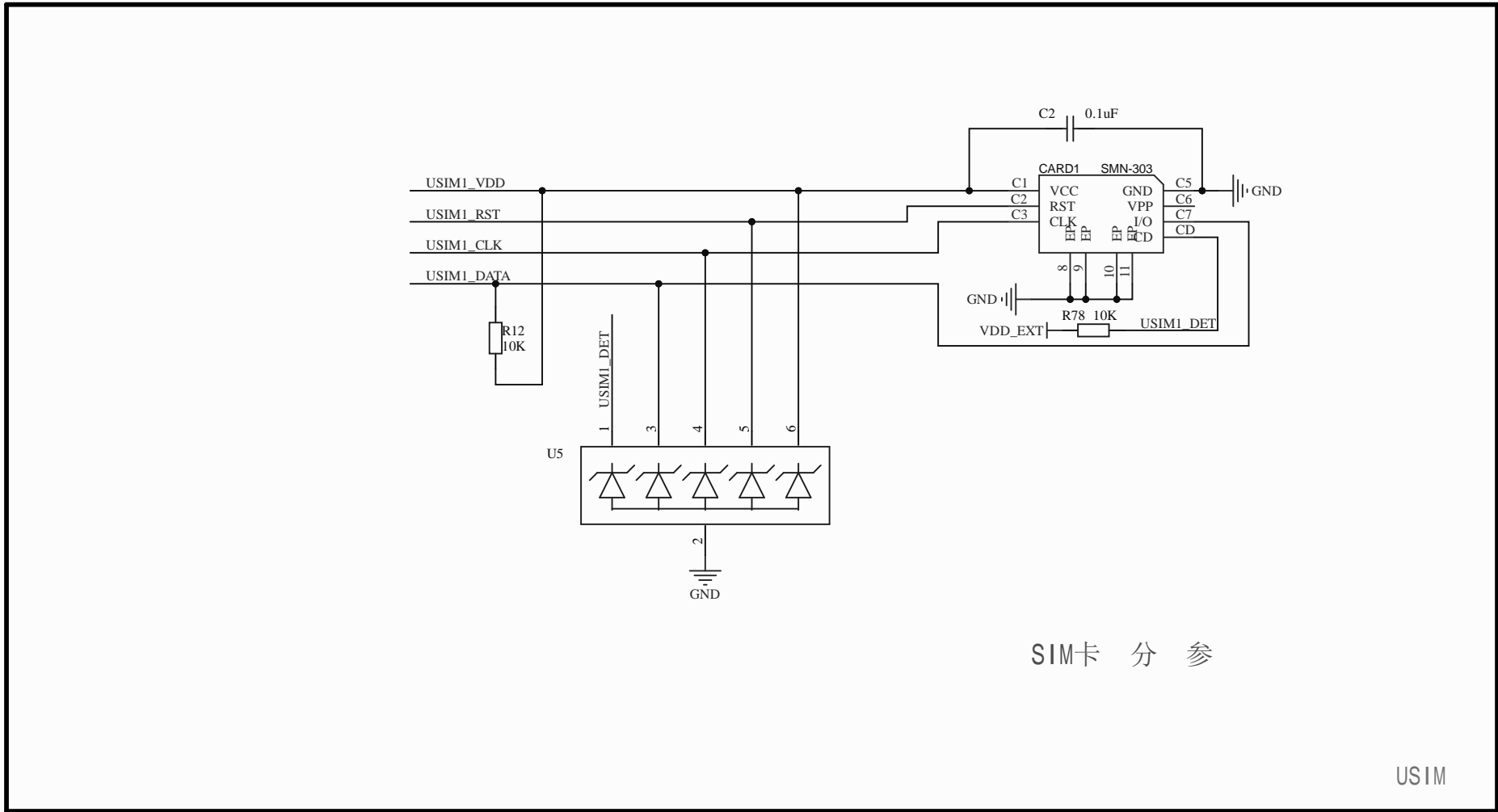






Title		
Size A4	Number	Revision
Date:	3-31-2023	Sheet of
File:	G:\...\2.POWER.SchDoc	Drawn By:

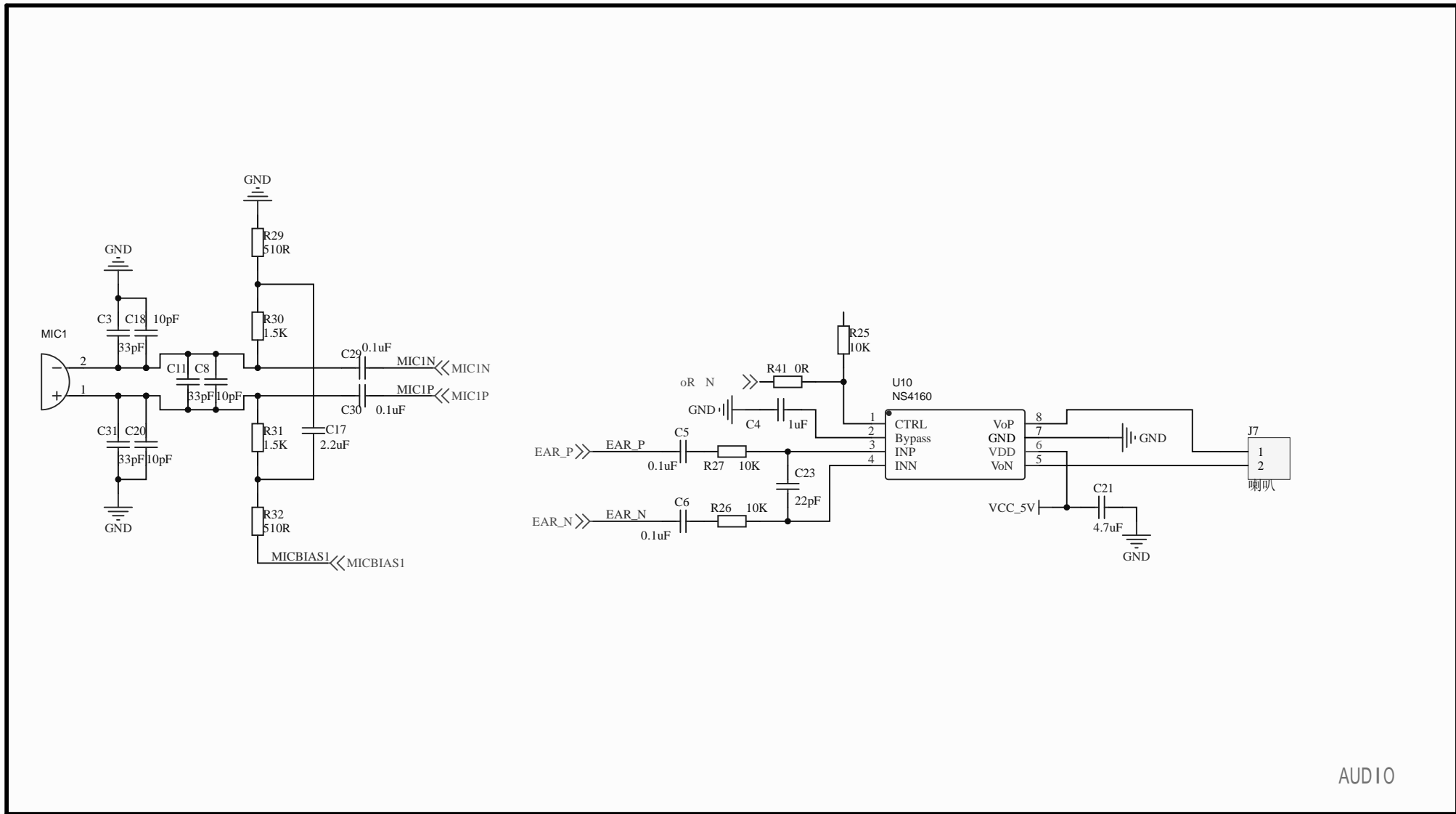




SIM卡分参

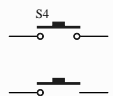
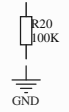
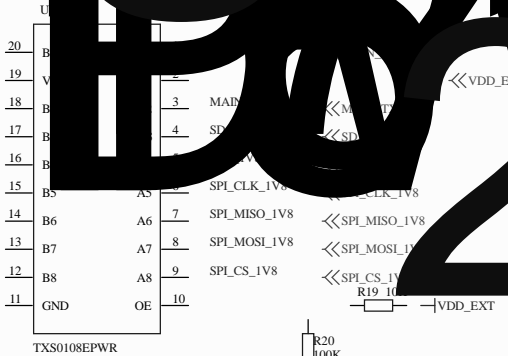
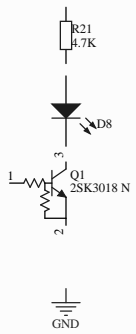
USIM

Title		
Size	Number	Revision
A4		
Date:	3-31-2023	Sheet of
File:	G:\...\4.SIM-CARD.SchDoc	Drawn By:



AUDIO

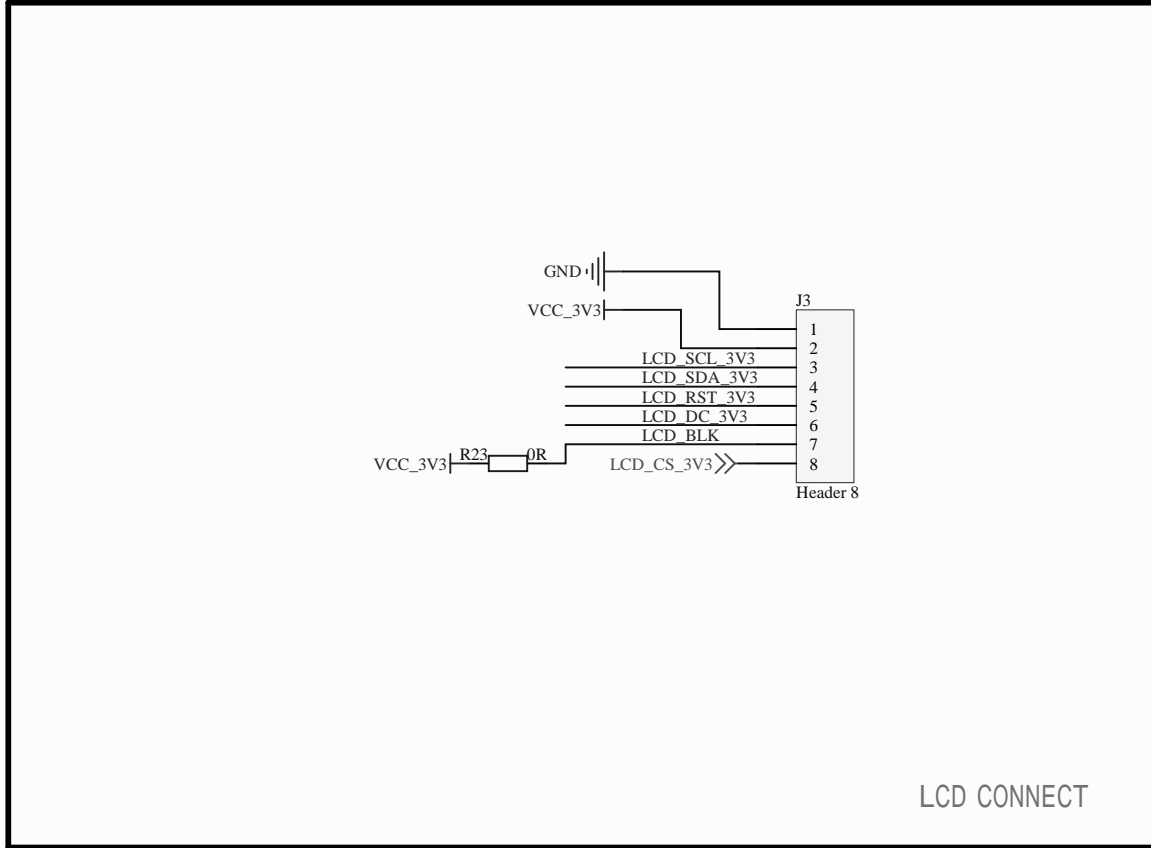
Title		
Size	Number	Revision
A4		
Date:	3-31-2023	Sheet of
File:	G:\...\5.AUDIO.SchDoc	Drawn By:



TXD  
RXD  
SPI\_CLK\_3V3  
SPI\_MISO\_3V3  
SPI\_MOSL\_3V3  
SPI\_CS\_3V3

GPIO

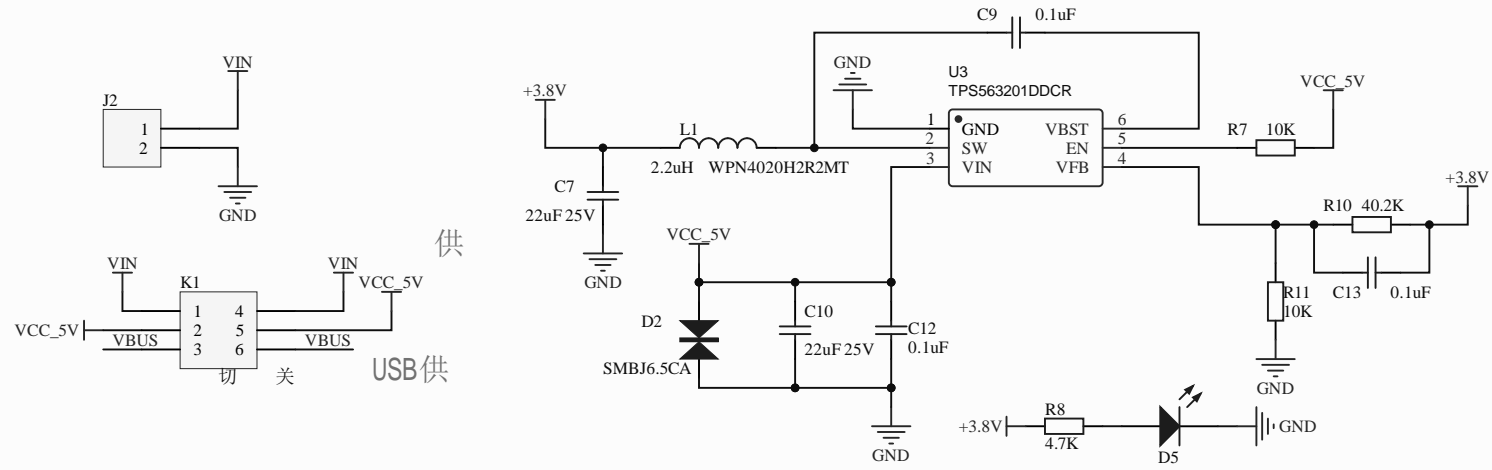
Title		
Size A3	Number	Revision
Date: 3-31-2023	Sheet of	
File: G:\...6.GPIO+UART.SchDoc	Drawn By:	



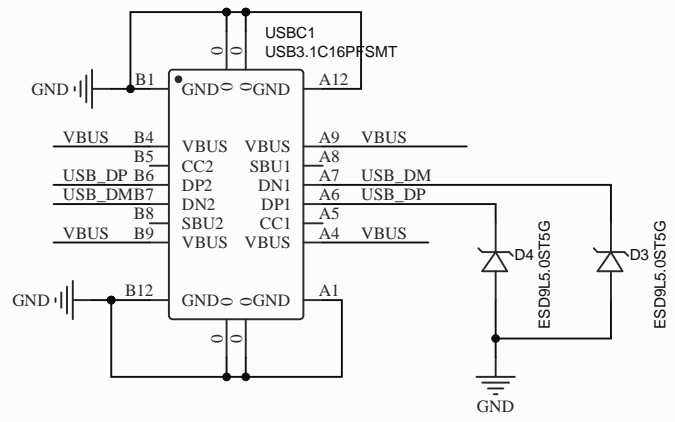
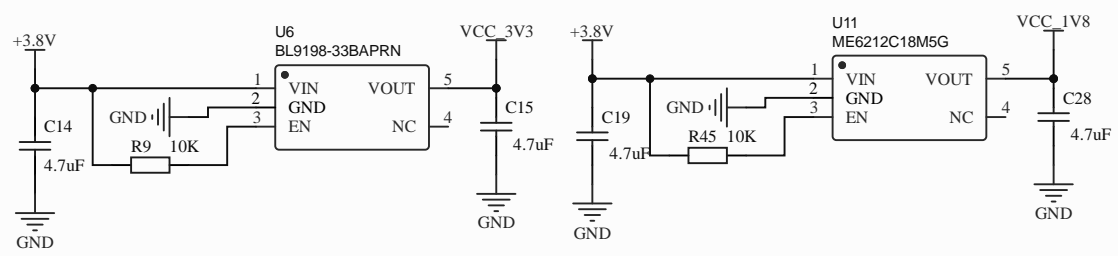
LCD CONNECT

Title		
Size A4	Number	Revision
Date:	3-31-2023	Sheet of
File:	G:\...\7.LCM.SchDoc	Drawn By:





DCDC



type-C

1

2

3

4

A

A

B

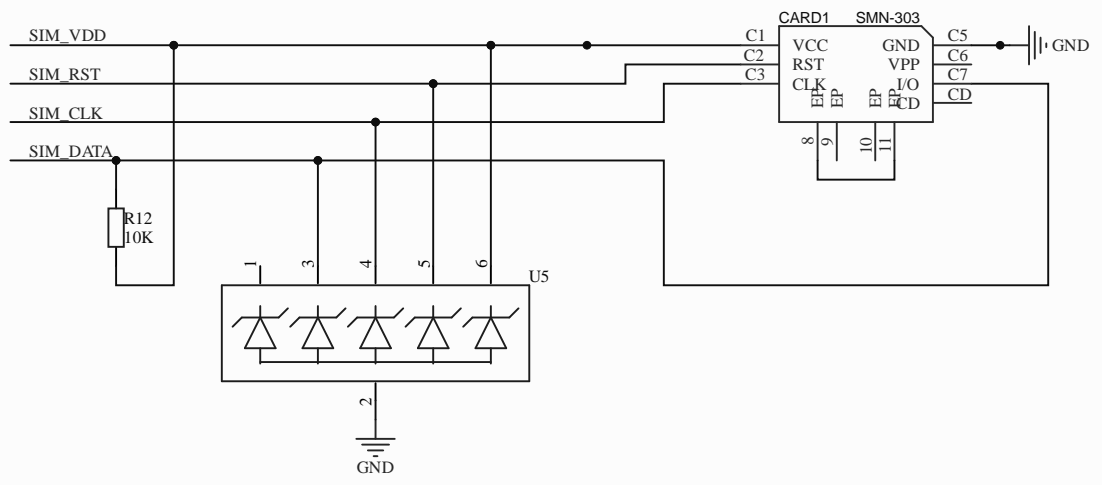
B

C

C

D

D



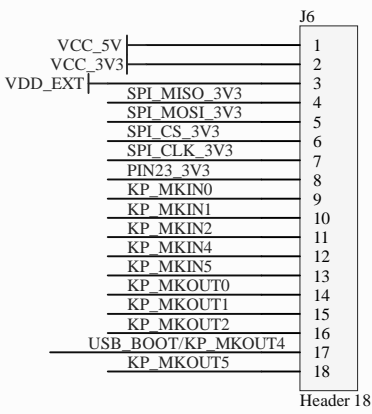
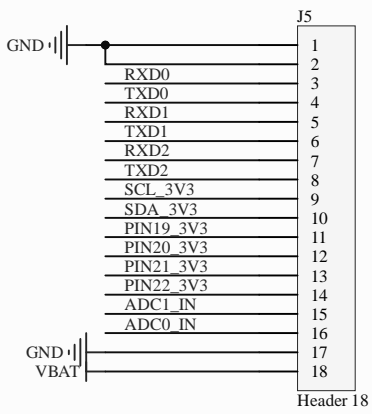
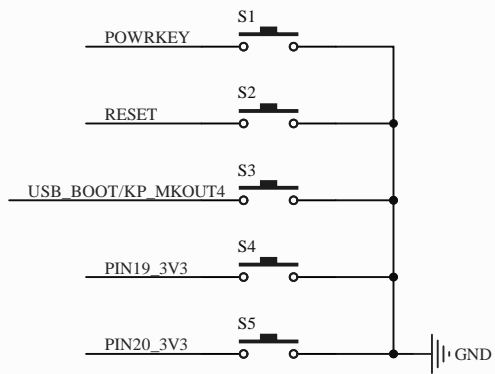
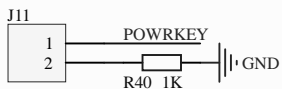
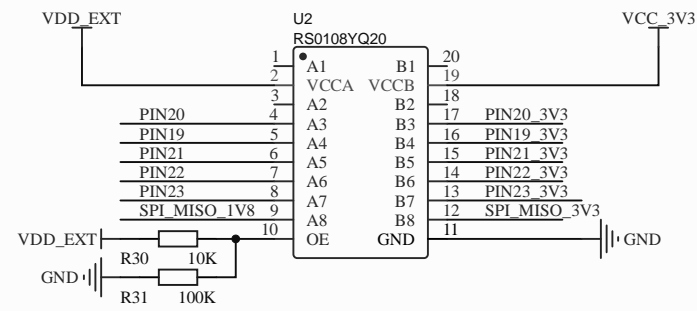
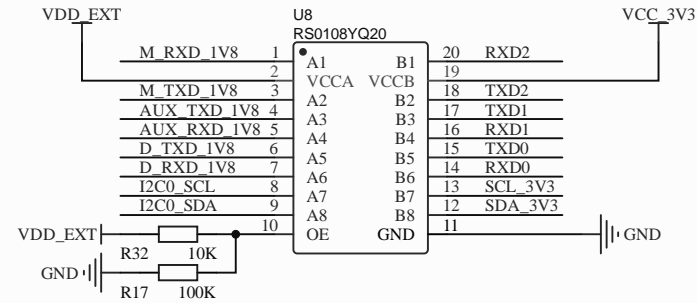
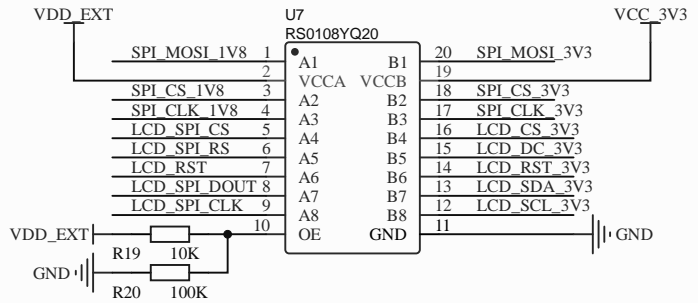
USIM

1

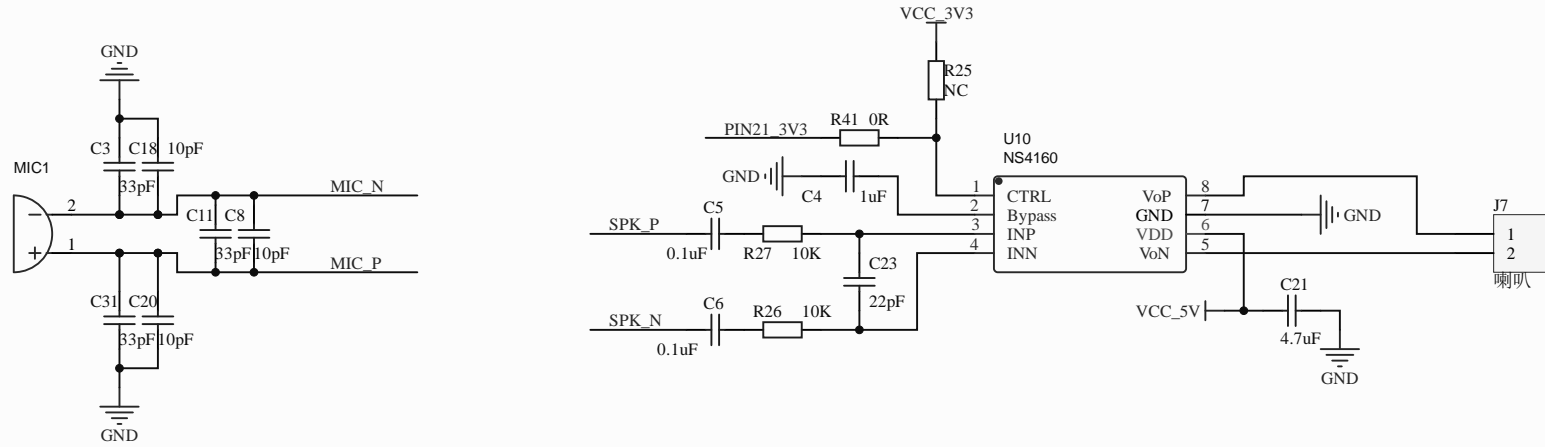
2

3

4



GPIO



AUDIO 分 参

AUDIO

1

2

3

4

A

A

B

B

C

C

D

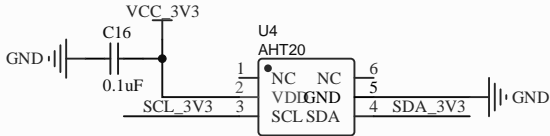
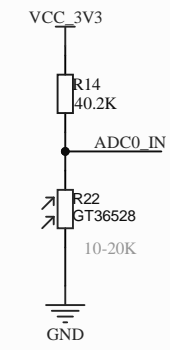
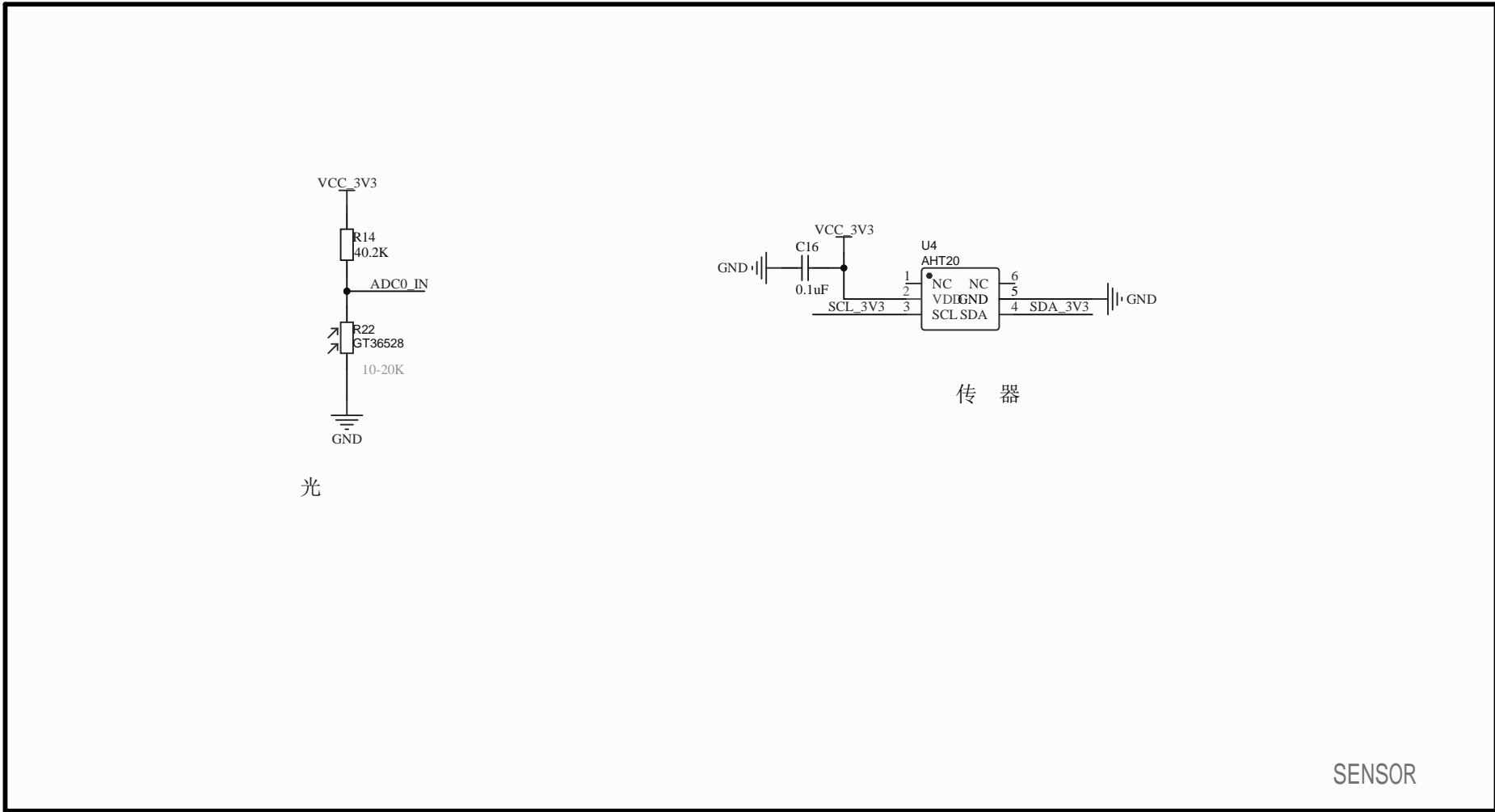
D

1

2

3

4



传感器

SENSOR

1

2

3

4

A

A

B

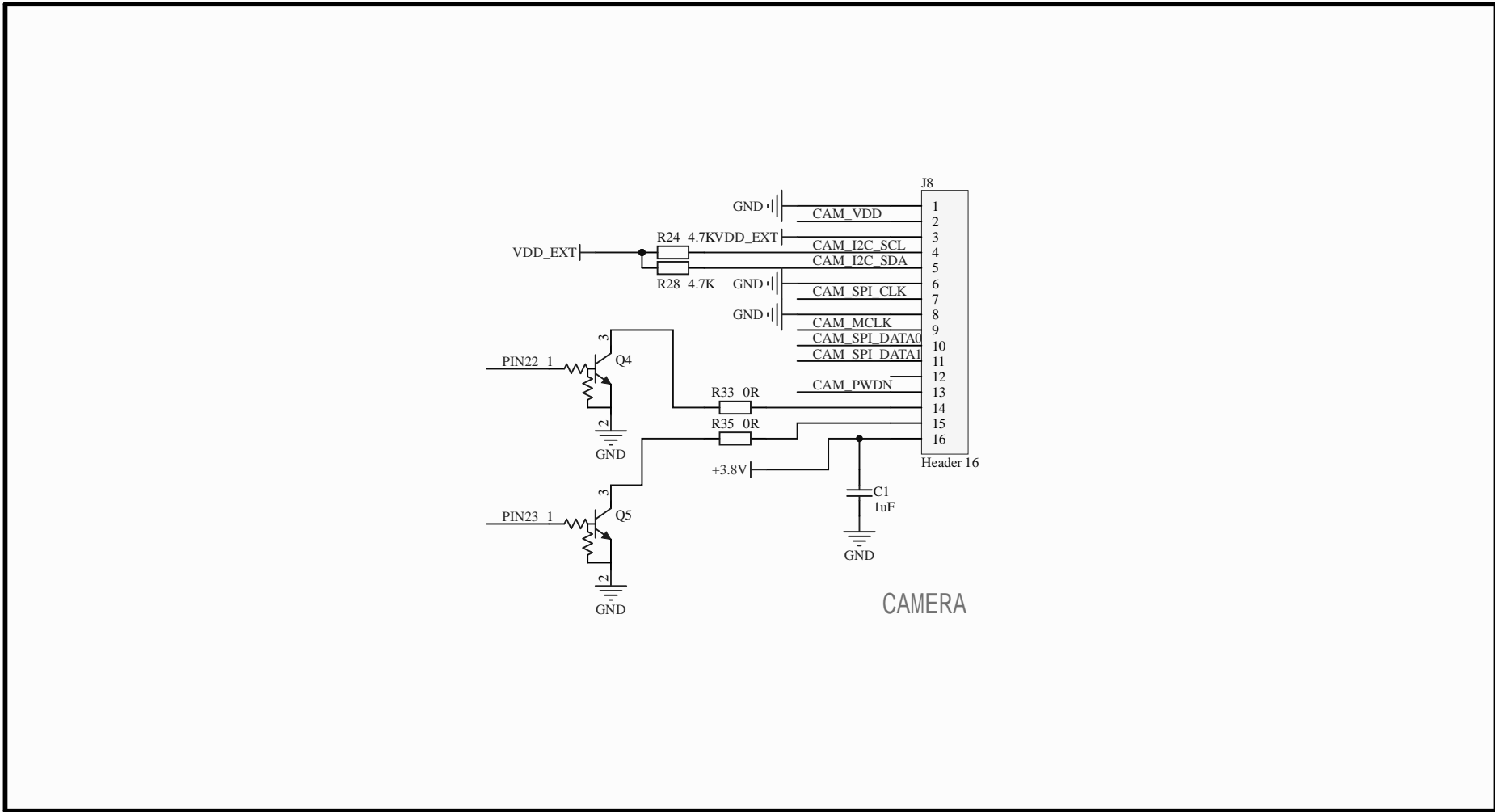
B

C

C

D

D



CAMERA

1

2

3

4

A

A

B

B

C

C

D

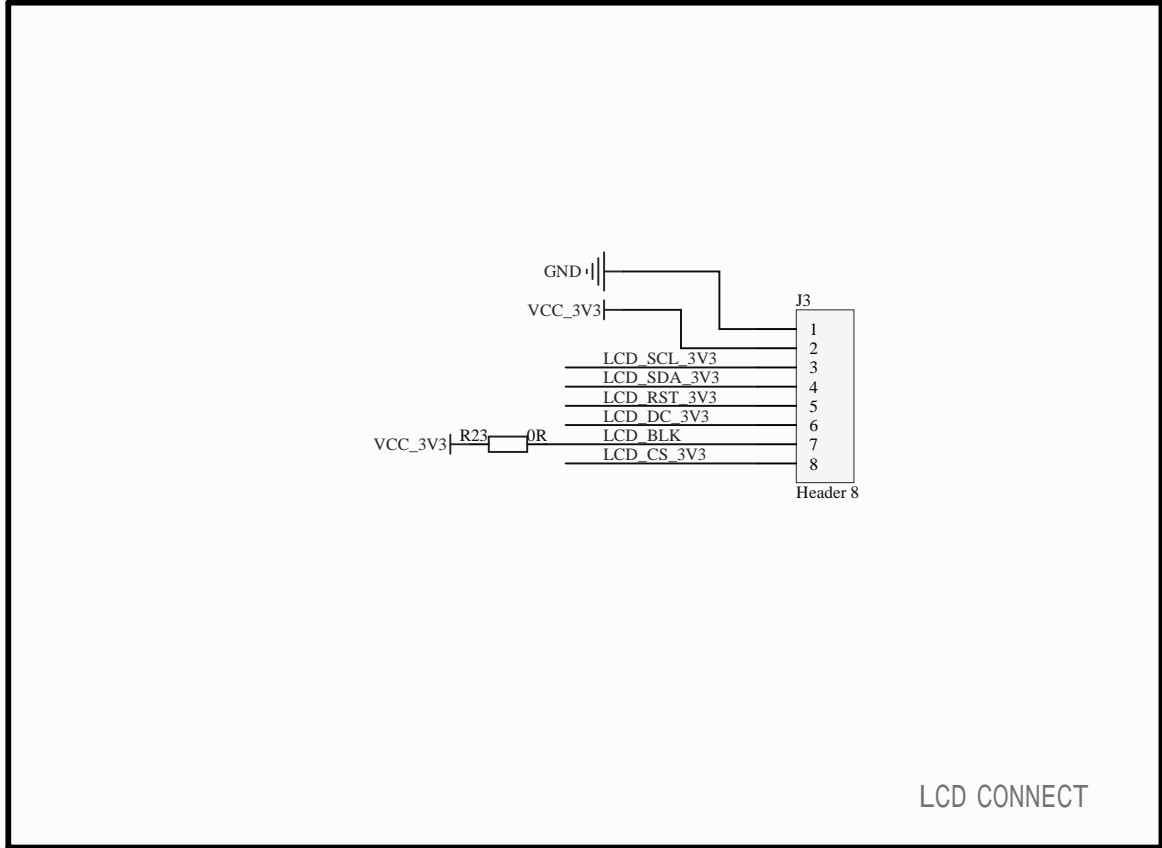
D

1

2

3

4



LCD CONNECT

1

2

3

4

A

A

B

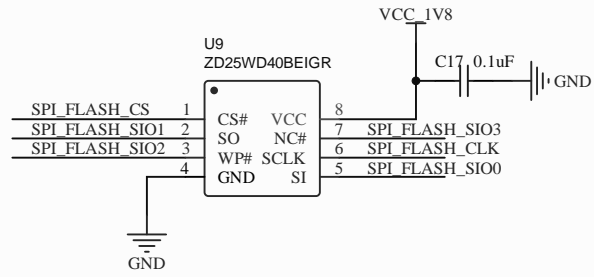
B

C

C

D

D



Flash

1

2

3

4